

# commercial windows



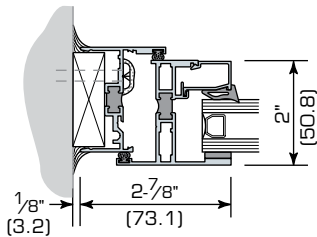
entrances • storefronts • curtain walls • **windows** • hurricane resistant systems  
blast resistant systems • ribbon walls • sun control products

## SERIES 7200, 7300, & 7400 WINDOWS

- Perfect for Hospitals, Schools, and Institutional Buildings
- Tested and Certified in Accordance With ANSI/AAMA/NWDA 101-I.S.2-97
- Includes 90° Egress Four Bar Hinges, 5 or 3 Knuckle Butt Hinges, Roto Operators, Friction Adjusters, and Stop Limit Arms
- Available in Painted or Anodized Finishes
- Screens Available for Each Window System
- Passed Forced Entry Resistant Testing to Level 16
- Reinforced Corner Construction

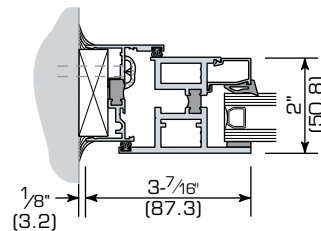
### SERIES 7200 Window

- 2" Depth
- AAMA C-75 Rating
- Polyurethane Thermal Break
- Projected, Fixed or Casement
- .062" Nominal Wall Thickness



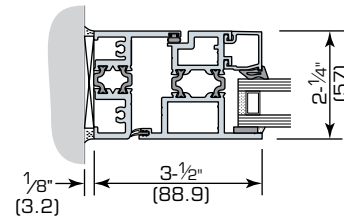
### SERIES 7300 Window

- 2" Depth
- AAMA HC-75 Rating
- Polyurethane Thermal Break
- Projected, Fixed or Casement
- .125" Nominal Wall Thickness at Sash



### SERIES 7400 Window

- 2 1/4" Depth
- AAMA AW-75 Rating
- Polyamide Nylon Thermal Break
- Projected, Fixed or Casement
- .125" Nominal Wall Thickness
- Flush Sash to Frame

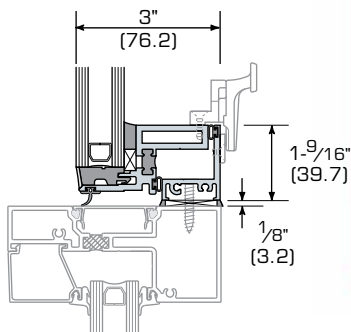


## SERIES 7500 & 7600 CONCEALED VENT WINDOWS

- Minimal Sightline
- Perfect for Use in Storefront, Curtain Wall, and Ribbon Window Openings
- Includes Stainless Steel Four Bar Hinges and Cam Locking Handles
- Reinforced With Corner Keys and Crimped at All Corners
- Air Tight Seal
- Hurricane Resistant Models Available for 1" (25 mm) Laminated Glass

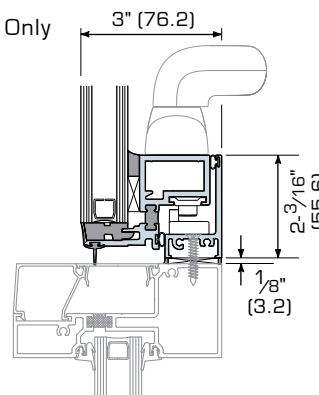
### SERIES 7500 Window

- For 1/4" or 1" (6 or 25 mm) Glazing
- Minimal Sightline
- AAMA C-75 Rating
- Project Out Only
- .125" Nominal Wall Thickness at Sash



### SERIES 7600 Concealed Window

- For 1" (25 mm) Glazing
- AAMA CW-100 Rating
- Minimal Sightline
- Thermally Broken
- Miami/Dade Large Missile Impact Protocol 201, 202, and 203
- U Factor .56 to .34
- Project Out Only



## SERIES 8000 SINGLE HUNG WINDOWS

- 1" to 1-5/16" (25 to 33 mm) Glazing
- Class 5 Balance for Ease of Operation
- Tested to AAMA CW-60
- Thermally Insulated-NFRC Certified
- U-Factors as Low as 0.34
- 4-1/2" (114 mm) Deep Frame to Match Typical
- Choice of Block or Fin Frame
- Accessories Like Screens, Mulling Bars, Subsills, Head and Jamb Channels are Available
- Available in an Array of Architectural Coatings and Anodized Finishes
- Hurricane Resistant and Blast Resistant Models Available
- Made in the USA



## SERIES 8100 FIXED WINDOWS

- 1" to 1-5/16" (25 to 33 mm) Glazing
- Thermally Insulated-NFRC Certified
- U-Factors as Low as 0.34
- 4-1/2" (114 mm) Deep Frame to Match Typical Building Conditions
- Choice of Block or Fin Frame
- Accessories Such as Mulling Bars, Subsills, Head and Jamb Channels are Available
- Available in an Array of Architectural Coatings and Anodized Finishes
- Hurricane Resistant and Blast Resistant Models Available
- Made in the USA

## SERIES 8200 HORIZONTAL SLIDING WINDOWS

- 1" to 1-5/16" (25 to 33 mm) Glazing
- Dry Glazed
- Tested to AAMA CW-60
- Thermally Insulated-NFRC Certified
- U-Factors as Low as 0.34
- 4-1/2" (114 mm) Deep Frame to Match Typical Building Conditions
- Choice of Block or Fin Frame
- Self-Locking Latch and Adjustable Tandem Rollers for Ease of Operation
- Accessories Like Screens, Mulling Bars, Subsills, Head and Jamb Channels are Available
- Available in an Array of Architectural Coatings and Anodized Finishes
- Hurricane Resistant and Blast Resistant Models Available
- Made in the USA





## U.S. Aluminum is a Manufacturer and Supplier of:

- Entrances and Storefronts
- Windows and Curtain Walls
- Hurricane Resistant Building Fronts
- Sun Control Systems
- Blast Mitigation Systems
- Ribbon Wall Systems
- Custom Extrusions

National Toll Free Phone  
**(800) 262-5151**

National Toll Free Fax  
**(866) 262-3299**

Online  
**usalum.com**  
**crlaurence.com**

### U.S. Aluminum Serves You From 11 Locations in North America

#### Los Angeles, CA

2450 E. Vernon Ave.  
Los Angeles, CA 90058-1802  
Toll Free Phone: (800) 262-5151  
Phone: (323) 268-4230  
Fax: (866) 262-3299

#### Dallas, TX

4841 Lakawana St.  
Dallas, TX 75247-6713  
Phone: (214) 638-8722  
Fax: (214) 638-3299

#### Houston, TX

5910 West by Northwest, Suite 300  
Houston, TX 77040-4949  
Phone: (713) 462-1766  
Fax: (713) 462-1680

#### Waxahachie, TX (Dallas Area)

200 Singleton Dr.  
Waxahachie, TX 75165-5094  
Phone: (972) 937-9651  
Fax: (972) 937-0405

#### Chicago, IL

6969 W. 73rd St.  
Chicago, IL 60638-6092  
Phone: (708) 458-9070  
Fax: (708) 458-7364

#### St. Louis, MO

11621 Fairgrove Industrial Bl.  
Maryland Heights, MO 63043-3437  
Phone: (314) 997-5112  
Fax: (314) 997-7504

#### Langley, BC (Vancouver Area)

5377 272nd St.  
Langley, BC V4W 1P1 Canada  
Phone: (604) 857-7766  
Fax: (604) 857-1377

#### Atlanta, GA

5530 Westpark Drive SW  
Atlanta, GA 30336-2645  
Phone: (404) 344-3468  
Fax: (404) 344-3412

#### Rock Hill, SC (Charlotte, NC Area)

720 Celriver Rd.  
Rock Hill, SC 29730-8937  
Phone: (803) 366-8326  
Fax: (803) 366-5776

#### Davenport, FL (Orlando Area)

45150 US Highway 27 North, Suite D  
Davenport, FL 33897-4512  
Phone: (863) 424-4700  
Fax: (863) 424-4646

#### Miami, FL (Formerly Delta Doors)

7500 N.W. 69th Ave.  
Miami, FL 33166-2543  
Phone: (305) 888-0077  
Fax: (305) 884-3111



AVDB4072

On the Cover  
800 J Lofts  
Sacramento, CA  
Series 3250 Curtain Wall  
With Series 7200 Windows